

Specifications

Output Power HP (kW)	10 (7.5)
Phase	3 Phase
Pole	4 Pole
Frame Number	132M

Degrees of Protection	IP 22
Enclosure Construction	Drip-proof
Thermal Class	Class B (130°C)

Alignment	Vertical
Frame Material	Steel plate

Power Transmission	Direct-couple or Belt Driven
Direction of Rotation	Counterclockwise (CCW) viewed from shaft-end side



Connection Type	Lead Wire (6 Leads)
Coating Colour	Munsell N5.5 (Gray)
Conformed Standard	IEC 60034-1 & JEC-2137-2000



Voltage & Frequency	LT Type	
	220/380~415V	50Hz
	220/440V	60Hz

* () is dimension without drip-proof cover

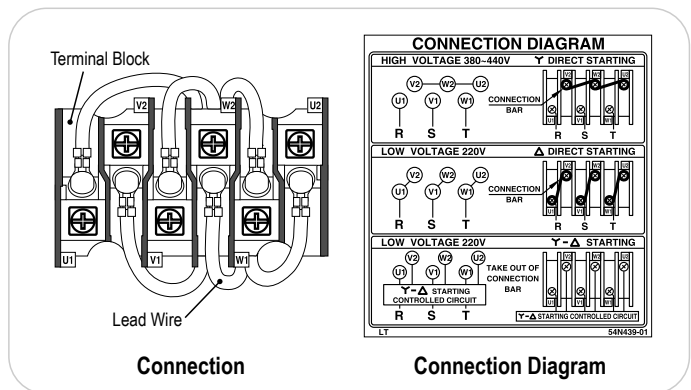
Dimensions (mm)

Flange Number	Motor								LZ
	D	IE	LA	LB	LC	LE	LG	LL*	
FF265	220	156.5	265	230 j6	300	4	20	431 (407)	14.5

Terminal Box			Shaft End						
KB	KD	KL	LR	Q	QK	S	T	U	W
330	27	181	80	80	63	38 k6	8	5	10

Bearing No.		Approximated Weight (kg)	Approximated Packing Dimensions (LxWxH)	Gross Weight (kg)
Drive End	Opposite			
6308ZZ	6207ZZ	67	607 x 427 x 384	74

Connection & Connection Diagram



Circumstance Conditions

Ambient Temperature	-20 ~ +40°C
Ambient Humidity	85% RH or less
Operating Altitude	Less than 1,000m above sea level
Environment	No bursting / erosive gas or vapor

Motor Characteristics

Type	Hz	V	50% Load			75% Load			100% Load				Torque(%)		Is (A)	Inertia GD ² (kg-m ²)	
			(A)	Eff(%)	PF(%)	(A)	Eff(%)	PF(%)	(A)	Eff(%)	PF(%)	Speed (r/min)	Torque (kg-m)	Ts			Tm
LT	50	220	16.7	0.87	0.68	20.8	0.90	0.79	26.1	0.89	0.84	1440	5.07	304	279	177	0.133
		380	9.62	0.87	0.68	12.1	0.90	0.79	15.1	0.89	0.84	1440	5.07	304	279	102	
		415	10.4	0.86	0.58	12.5	0.89	0.71	15.1	0.89	0.78	1450	5.04	362	332	111	
60	220	14.5	0.89	0.76	19.4	0.90	0.85	24.9	0.91	0.87	1730	4.22	236	231	95		
	440	8.86	0.87	0.64	11.0	0.89	0.76	13.4	0.90	0.82	1740	4.20	316	310	102		